

ST SNK EF C

SENTINEL Tap Range

Sentinel Easyfit Sink Mixer Chrome



Specification

Product Type:	Kitchen Taps
Main Construction Material:	Brass
Mount Type:	Deck Mounted
Handle Type:	Lever Handles
Connection Inlet:	1/2" BSP Female Flexible Tails
Connection Outlet:	Anti-Splash
Number of Tap Holes:	1
Valve/Cartridge Type:	1/2" Ceramic Disc Valve
Plumbing System Requirements:	Suitable for all plumbing systems
Minimum Dynamic Pressure:	0.3 Bar
Maximum Dynamic Pressure:	5.0 Bar
Maximum Hot Water Temperature: °C	65
Maximum Static Pressure: (bar)	10
Flow Type:	Dual Flow
Isolation Included:	Yes

Features:

- Long life and easy to use 1/4 turn ceramic disc valves
- Metal fixing nut for added durability
- Easy Fit base included
- Flexible Tails included
- Minimum working pressure of 0.3 Bar

Product Certifications:

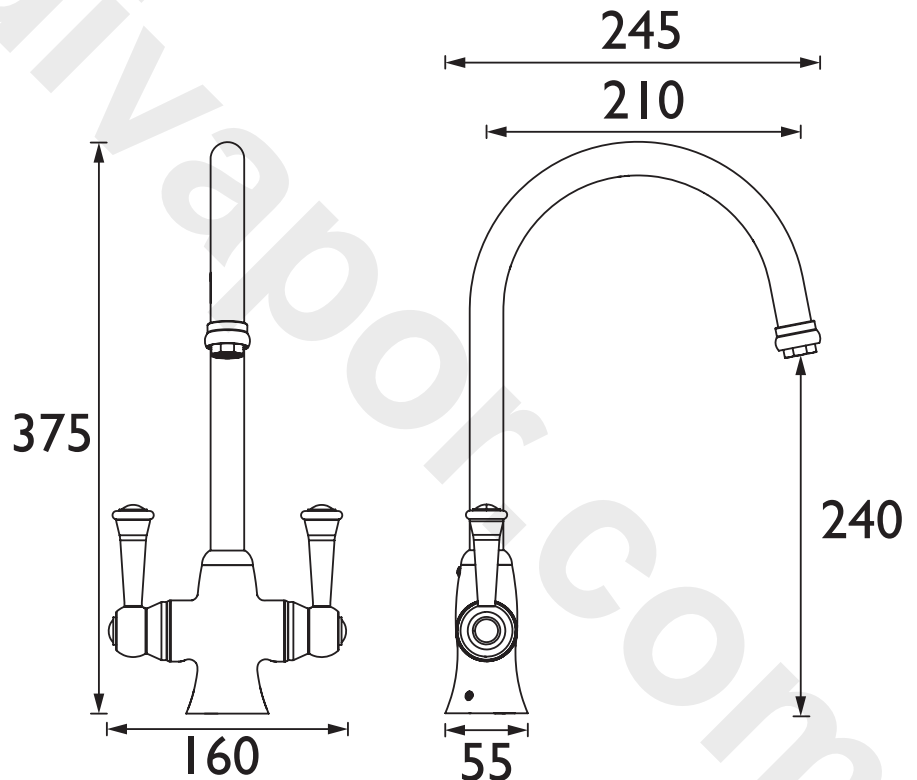


WRAS Cert. Number: 2009904
WRAS Expiry Date: 30/09/2025

For more products, visit our website:
<http://www.bristan.com>



Dimensions (measurements in mm)



Flow Rates (l/min)

System Pressure (bar)	0.3	0.5	1	2	3	5
ST SNK EF BN	9	12.6	19.3	28.1	35.6	45.6

TECHNICAL DATA SHEET



BRISTAN

D6